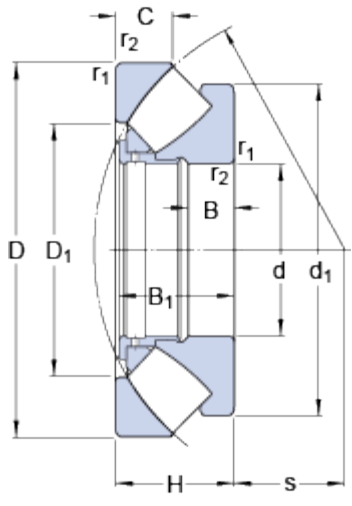




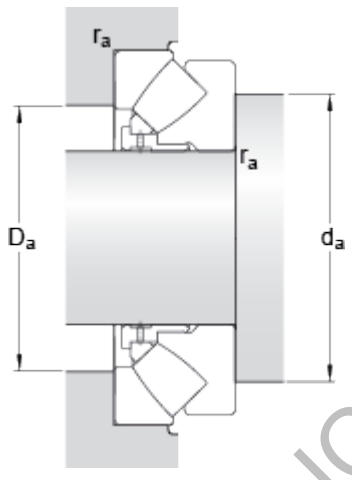
294/710/HC

Dimensions



d	710	mm
D	1220	mm
H	308	mm
d ₁	≈ 1110	mm
D ₁	≈ 917	mm
B	117	mm
B ₁	298	mm
C	149	mm
s	415	mm
r _{1,2}	min. 15	mm

Abutment dimensions



d _a	min. 965	mm
D _a	max. 1070	mm
r _a	max. 12	mm

Calculation data

Basic dynamic load rating	C	17600	kN
Basic static load rating	C ₀	76500	kN
Fatigue load limit	P _u	5000	kN
Reference speed		220	r/min
Limiting speed		430	r/min
Minimum axial load factor	A	560	

Mass

Mass bearing		1500	kg
--------------	--	------	----